



### CENTAURO FTIS-0450 | FTIS-0600

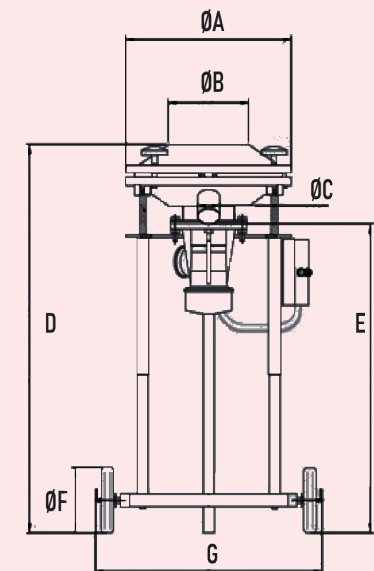
CENTAURO is a compact, lightweight and mobile sieve. It is often used for screening on the field and can be easily moved from one place to another. It is suitable for liquids as well as solids.

- > Reduced maintenance.
- > Great versatility.
- > Easy to place sieve.
- > Height adjustable.
- > A single level of work.

It is used for products such as: glazes, paints, ceramic powder, sands, as well as in the agricultural, food and chemical industry.

### GENERAL DIMENSIONS

(mm)	FTIS-0450	FTIS-0600
ØA	465	645
ØB	210	210
ØC	75	130
D	1050-750	1100-800
E	843-543	920-620
F	80	80
G	630	650



### TECHNICAL FEATURES

	Voltage (V)	Freq. (Hz)	r.p.m	Power (kW)	Weight (Kg)
FTIS-0450	380	50	1500	0,155	42
FTIS-0600				0,300	47