

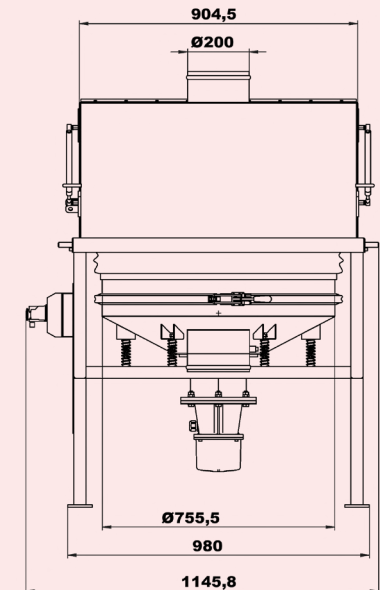
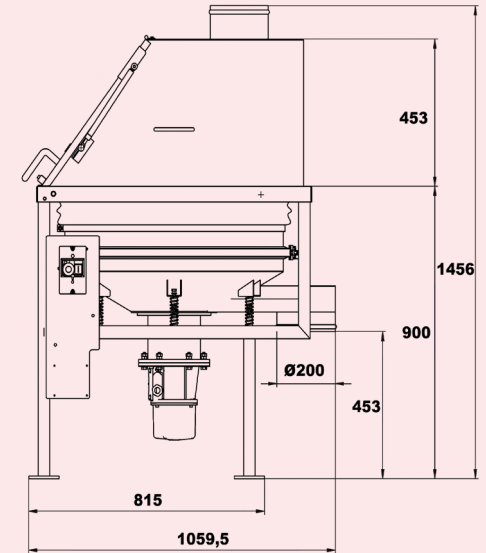
VSIS-0800

Sack table with a built in sieve shaker. Station used to feed bulk material delivered in different packaging (bags and boxes) controlling and reducing dust.

- > Removable cabinet with fast clamps, 4 working positions.
- > Production rate till 3.000 Kg/hour (depending on the product).
- > Stainless steel INOX AISI304 o AISI316 on demand, silicon gas-gasket suitable for FDA.
- > Available for 800 mm diameter.



EQUIPMENT DIMENSIONS



| TECHNICAL FEATURES | | | | |
|--------------------|-------------|-----------|------------|-------------|
| | Voltage (V) | r.p.m | Power (kW) | Weight (Kg) |
| VSIS-0800 | 380/400 | 1500/1800 | 0.3 | 177,5 |