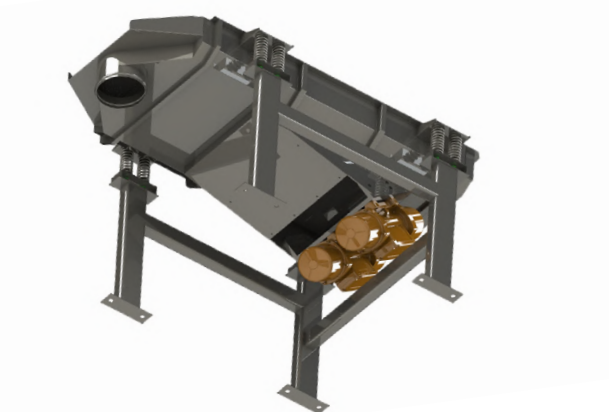




ATEX UNDER REQUEST



MERCURIO

Rectangular sieve shaker made to measure can be used for solid materials with different particle sizes. It is manufactured according to the needs of each customer and the specific requirements.

Powered by one or two adjustable eccentric mass vibrators. They can work suspended in plant structure or supported on a bench.

- > The meshes are changed quickly and easily.
- > Possibility of tailor-made manufacturing, according to customer needs.
- > Made of A304, A316 or carbon steel as required.
- > ATEX certification optionally.

* Customizable equipment on request.

INCLUDES:

- > Rectangular sieve.
- > Top lid. (optional)
- > User manual
- > CE declaration of conformity

TECHNICAL FEATURES

Voltage (V)	Freq. (Hz)
380/400	50/60