



Sieve and sifter certification
& inspection service.

Applicable industries:



Food



Agriculture



Pharma



Recycling



Plastics



Construction



Glass



Chemical



SPECIFICATIONS:



Compact and lightweight electromagnetic sieve shaker, for sieves from Ø60 to Ø203 mm.

- Three-dimensional movement across the entire sieve column.
- High efficiency for particle separation in both dry or wet processes.
- Made of anodized aluminum with a polyurethane resin housing.
- Digital display with power adjustment, time control, and settings for continuous or intermittent sieving.
- Securing system with threaded rods, bakelite knobs, and a methacrylate lid.

**Optional: Quick-release "Easy-Press" closure and wet sieving accessory.*

TECHNICAL DATA:



- Type: Electromagnetic.
- Sieving: Dry / Wet.
- Granulometric separation.
- Three-dimensional movement.
- Maximum amplitude: 2 mm.
- Power levels: 9.
- Interval sieving: from 1 to 9 seconds.
- Maximum number of sieves:
 - 8 (Ø200/203 X 50 mm height)
 - 16 (Ø200/203 X 25 mm height)
- Mesh openings:
 - 20 µm a 125 mm (wet sieving)
 - 40 µm a 125 mm (dry sieving)



INCLUDES:



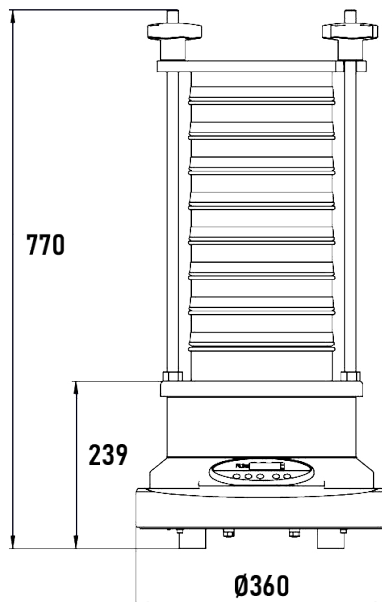
- Sieve shaker with connection cable.
- Methacrylate lid.
- Threaded closure system.
- Instruction manual.

TECHNICAL FEATURES:



| Timer | Voltage (V) | Current (A) | Power (Kw) | Freq.(Hz) | Weight (Kg) |
|-----------|-------------|-------------|------------|-----------|-------------|
| 1-99 min. | 220/240 | 1.8 | 0.4 | 50/60 | 40 |

DIMENSIONS:



OPTIONAL ACCESSORIES:



Mesh & sheet metal sieves



"Easy-Press" closure



Self-cleaning balls



Wet sieving accessory



Bottom and lid



Cleaning kit

