

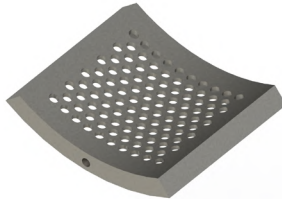
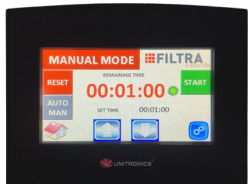
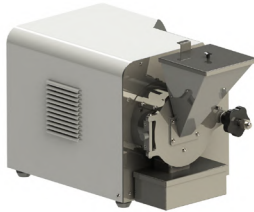
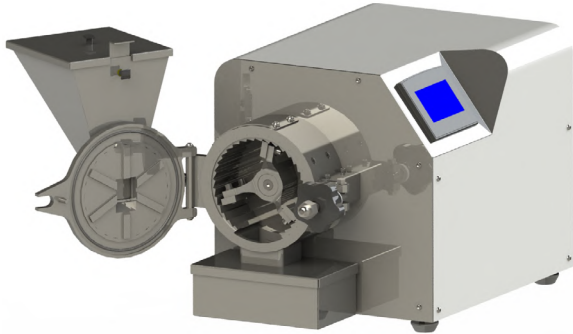
### ARES FML-MC

Laboratory impact mill designed for volume and size reduction in hard, semi-hard and brittle materials such as glass, ceramics, feed, etc. Also handy for the size reduction of solid and tough materials as rocks, minerals or electronics scraps and many others.

- > Round perforation screens, with a wide size range.
- > The screen is easily interchangeable, which optimizes the preparation time of the equipment.
- > The three blades are made of AISI-431 tempered stainless steel.
- > Equipment manufactured in stainless steel 304.
- > Shell in painted steel.

Controlled by an automatism (PLC) with touch screen with the following functions:

- Manual control of mixing time.
- Automatic control of mixing time, with 4 preset automatic programs and configurable by the user.
- 3 languages (Spanish, English and French).

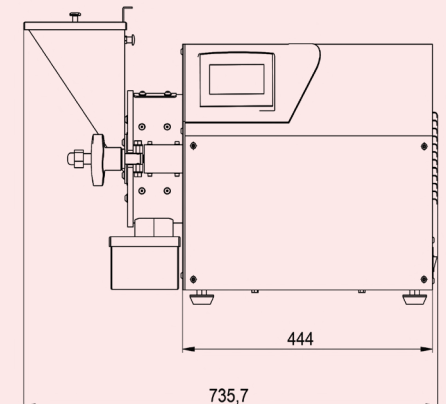
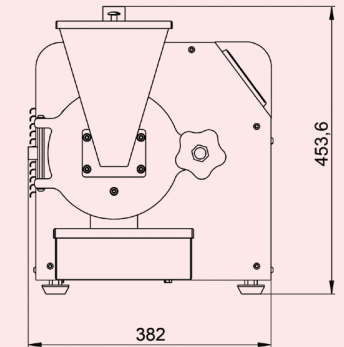


### TECHNICAL FEATURES

- > Grinding chamber volume (l): 1.2
- > Collector capacity (l): 1,85
- > Sieve sizes (Ø mm): From 0,5 to 10

### INCLUDES:

- > Impact mill
- > Connecting cable
- > Tray of inox
- > User manual
- > CE declaration of conformity



### TECHNICAL FEATURES

	Voltage (V)	Freq. (Hz)	r.p.m	Power (kW)	Weight (Kg)
FML-MC	220/240	50/60	1500	1.5	55