

TECHNICAL FEATURES

Type: Electromagnetic
 Sieving: Dry/wet
 Application: Granulometric separation.
 Particle size*:
 from 20 µm to 125 mm wet sieving
 from 40 µm to 125 mm dry sieving
 Product motion: Three-dimensional
 Maximum amplitude: 2 mm
 Power levels: 9
 Time display: from 1 to 99 min.
 Interval operation: from 1 to 9 s.
 Max. number of sieves:
 5 (ø300 X 80 mm h.)
 8 (ø305/315 X 55 mm h.)
 Sieve ø: from 250 mm to 315 mm**
 Voltage: 220/2240 V - 50/60 Hz
 Power: 400 W
 Current: 1,8 A
 Weight: 45 kg

IRIS FTL-0300

Compact and light electromagnetic sieve shaker, for sieves from 60 to 305 mm in diameter. Its three-dimensional motion throughout the sieve column makes it extremely effective when performing particle separation Granulometric tests, both dry and wet.

It is manufactured in anodized aluminium with a polyurethane resin shell, it features a digital panel with power regulation, sieving time control and adjustments to enable continuous or intermittent sieving.

The sieve fastening system comprised of two threaded rods fitted with Bakelite tightening knobs and methacrylate lid.

INCLUDES:

- > Sieve shaker with connecting cable
- > Methacrylate lid
- > Threaded closing system
- > User manual
- > CE declaration of conformity
- > Accessories in wet (optional).

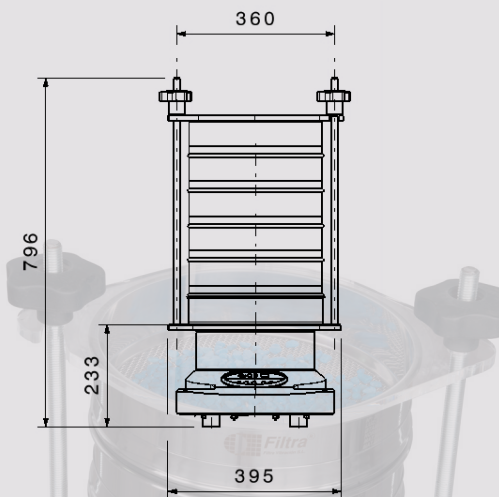


Easy-Press

Accessories

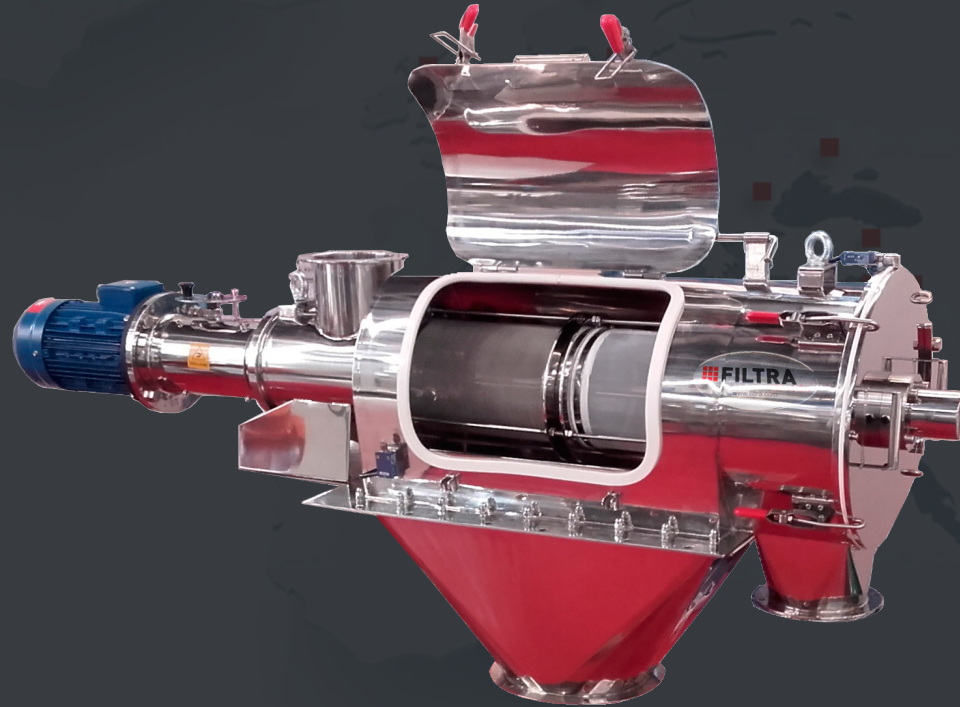


* Depending on the material to be sieved and the sieves used
 **This model can employ a sieve test column from Ø60 to 203 mm



3D MOTION





SIEVING FOR LABORATORY AND INDUSTRIAL PROCESSES

FILTRA
VIBRACIÓN

Filtra Vibración S.L

C/ BRONZE, 1-3, P.I. LES GUIXERES
08915 BADALONA (BARCELONA)

filtra@filtra.com
filtra.com