



**3D MOTION**  
ATEX UNDER REQUEST



**ZEUS FTI-0800**

The "Zeus" industrial sieve shaker is ideal to carry out granulometric separation of the product, both for liquids and solids, for big productions.

Manufactured from AISI 304 stainless steel (or AISI 316, under request), it features an imbalanced-weight motor which produces a threedimensional motion - in the horizontal and vertical planes - which makes the sieving of the product as easy as possible. Adjustment of the imbalanced-weights allows the regulation of product behaviour on the mesh and the sieving speed.

This sieve shaker allows up to 4 sieves of 550, 800, 1200 or 1500 mm Ø (depending on the diameter of the machine).

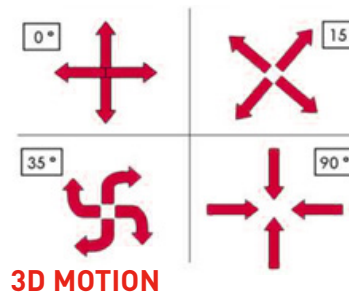
The standard mounting system for the sieves has a silicon seal and clamp.

Fast-closing clamps can be ordered as an optional extra. Likewise the lid and the hatch in the lid or in the body are optional.

The bottom has a side outlet through which the obtained product can be unloaded. The sieves can be ordered with or without product outlet. In the case of choosing a sieve with outlet, the sieving process can be automated: as the product enters the sieve, it also leaves via the sieve opening.

**INCLUDES:**

- > Circular sieve shaker with 1 or more levels of sieving.
- > User manual.
- > CE declaration of conformity.

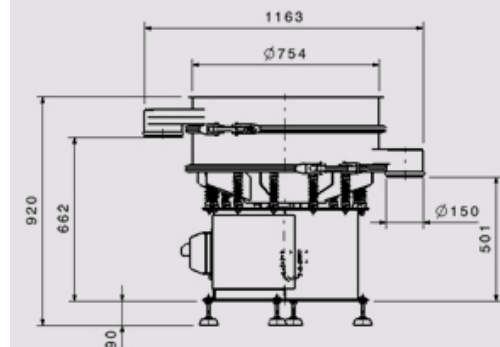
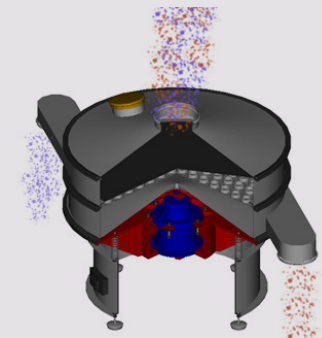


**3D MOTION**

TECHNICAL FEATURES					
<b>FTI-0800</b>	220-230 V 380-400 V	50-60 Hz	1500 rpm	3.5/2.0 A	1.1 kW

**TECHNICAL FEATURES**

- > Allowing 4 sieve levels.
- > Separation solid/solid and liquid/solid
- > Cleaning by ultrasonic or cleaning rings.
- > Mesh long life.
- > Liquid and dust free.
- > Vibrating engine.
- > Simple maneuvering, main switch stop/start/emergency installed.
- > Low consumption.



It is used in the chemicals, food, pharmaceuticals, agricultural, recycling, water treatment, etc. industries, and guarantees a production of between 100 and 15,000 kg/h depending on the product, the mesh size and the feed flow to the machine.

The "Zeus" sieve shaker can be used for separation processes for solids in a liquid, for the separation of different granulometries within the same product, in safety sieving for the elimination of foreign bodies, for the homogenization of particles...

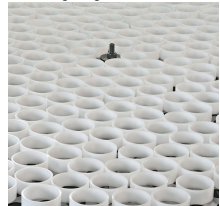
**OPTIONAL EQUIPEMENT**

- > Lid with product access window.
- > Possibility to include product access window in the lid or decks.
- > Fast clamp system.
- > Sieve cleaning system.
- > Ultrasound sieve cleaning system.
- > Brusher for cleaning sieves.
- > Gaskets, lids and silicone balls.
- > Tri clamp, BFM connectors, fast connector without clamp or key
- > Machine mounted over wheels.
- > Machine with one, two, three or four decks.
- > Different surface finishing (AISI304, AISI316, polished, grainy).
- > The possibility of manufacture for explosive environments.
- > Possibility of customization according to user needs.

Ultrasonic sieve system



Cleaning rings



Fast connectors with FDA certification



**PRODUCTIVITY**

PRODUCT	MESH OPENING	FTI-0550	FTI-0800	FTI-1200	FTI-1500
<b>Milk powder</b>	400µ	350Kg/h	800Kg/h	1.800Kg/h	2.800Kg/h
<b>Orange Juice</b>	1000µ	1.600l/h	3.500l/h	8.000l/h	12.000l/h
<b>Species (oregano, thyme, cinnamon...)</b>	600µ	400Kg/h	1.000Kg/h	1.500Kg/h	1.800Kg/h
<b>Sweet pepper</b>	1000µ	180Kg/h	350Kg/h	1.000Kg/h	1.300Kg/h
<b>Serum lactic</b>	50µ	1.000l/h	2.200l/h	5.000l/h	7.500l/h
<b>Sugar glass</b>	150µ	800 Kg/h	2.000 Kg/h	3.000 Kg/h	3.500Kg/h
<b>Wheat flour</b>	300µ	300 Kg/h	600 Kg/h	1.350 Kg/h	2.100Kg/h
<b>High-Density Polyethylene</b>	3000µ	600Kg/h	1.300Kg/h	3.000Kg/h	4.500Kg/h
<b>Ammonium sulfate</b>	350µ	400Kg/h	900Kg/h	2.000Kg/h	3.100Kg/h
<b>Toner powder</b>	100µ	90Kg/h	170Kg/h	400Kg/h	600Kg/h
<b>Glass powder</b>	100µ	270Kg/h	500Kg/h	1.300Kg/h	2.000Kg/h
<b>Shredded tire</b>	1000µ	300Kg/h	650Kg/h	1.500Kg/h	2.200Kg/h
<b>Purines</b>	125µ	2.000l/h	4.000l/h	10.000l/h	15.000l/h
<b>PET recycled</b>	5000µ	400Kg/h	850Kg/h	2.000Kg/h	3.000Kg/h
<b>Biofuel oil</b>	200µ	800l/h	1.600l/h	4.000l/h	6.100l/h
<b>Acrylic paint</b>	80µ	500l/h	1.200l/h	2.700l/h	4.200l/h

Fruit concentrate



White glue



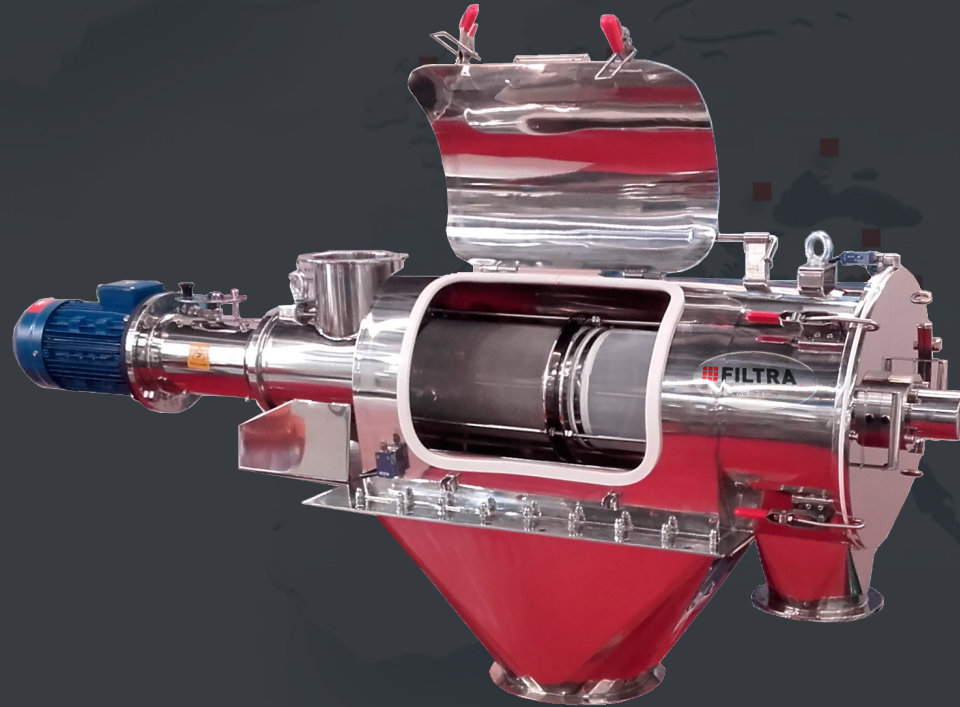
Dried tomato



Paper and plastic recycling







# SIEVING FOR LABORATORY AND INDUSTRIAL PROCESSES

**FILTRA**  
VIBRACIÓN

Filtra Vibración S.L

C/ BRONZE, 1-3, P.I. LES GUIXERES  
08915 BADALONA (BARCELONA)

filtra@filtra.com  
filtra.com