



EOLO FTLBA

Digital Air Jet sieve shaker for dry granulometric testing of particles from 5 microns in size, (from 5 µm to 4 mm).

Highly effective sieving due to the air stream which forces fine particles to pass through the sieve. This effect is archived via air flow which produces a controlled suction effect.

It is manufactured in anodized aluminium with a polyurethane resin shell, it features a digital panel with sieving time control and vacuum meter.

It also features a suction regulation valve in order to carry out tests under the same time and suction conditions.

It operates with special sieves which are air-tight once closed.

The NILFISK GM 80 vacuum, capable of producing a pressure decrease of up to 20 kPa, is recommended for use with the EOLO model.

INCLUDES:

- > Air Jet sieve shaker
- > Connecting cable
- > Methacrylate lid
- > Nylon hammer
- > User manual
- > CE declaration of conformity

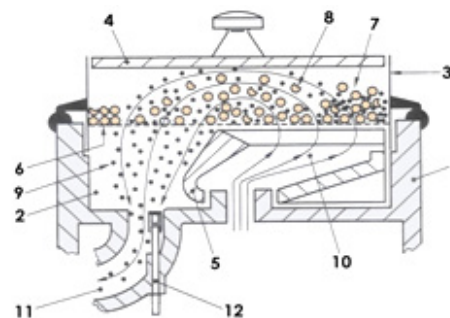
Optional accessories



CYCLON TO RECOVER THE PRODUCT
Thin particles recover system.



NILFISK GM 80 VACUUM 1.200 W



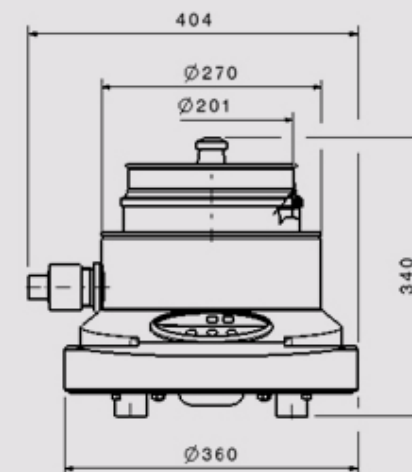
- | | |
|---------------------|---------------------|
| 1. Body | 7. Test sample |
| 2. Plate | 8. Rejected product |
| 3. Sieve | 9. Passed product |
| 4. Methacrylate lid | 10. Airstream |
| 5. Scraping device | 11. Air outlet |
| 6. Sieve mesh | 12. Monometer point |

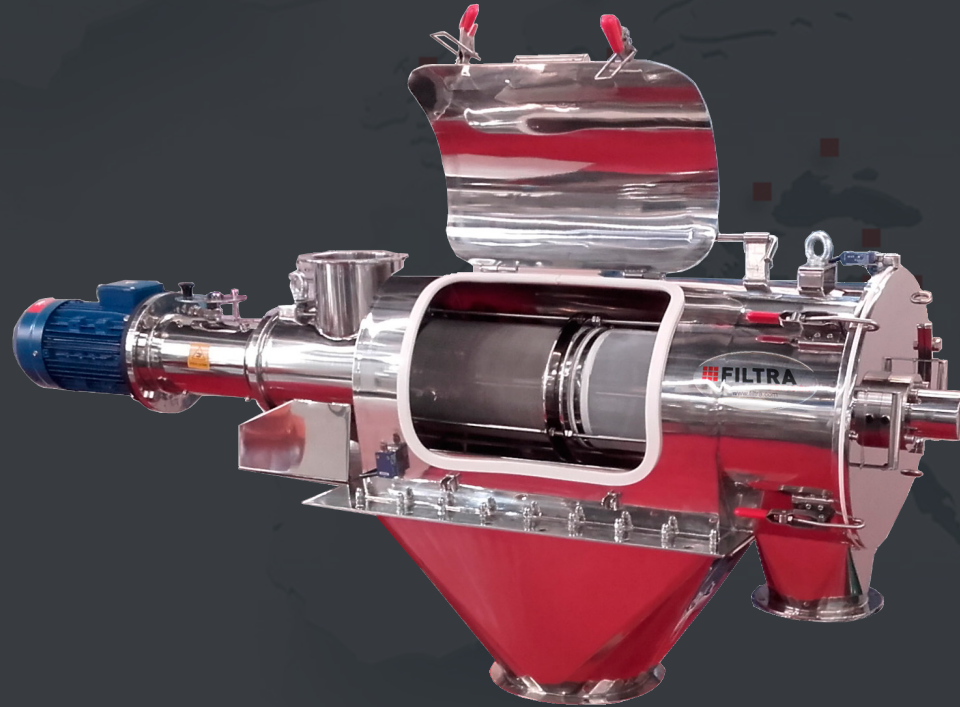


TECHINCAL FEATURES

- Type: Air jet.
- Type of sieving: Dry.
- Application: Granulometric separation.
- Particle size*: from 5 µm to 4 mm.
- Product motion: Airstream.
- Maximum pressure: 20 kPa.
- Time display: from 1 to 99 min.
- Max. number of sieves: 1
- Sieves ø: 200 mm
- Voltage: 220/240 V - 50/60 Hz
- Power: 19 W.
- Vacuum Power: 1200 W
- Weight: 20 kg.

* Depending upon product characteristics and sieve tests used





SIEVING FOR LABORATORY AND INDUSTRIAL PROCESSES

FILTRA
VIBRACIÓN

Filtra Vibración S.L

C/ BRONZE, 1-3, P.I. LES GUIXERES
08915 BADALONA (BARCELONA)

filtra@filtra.com
filtra.com