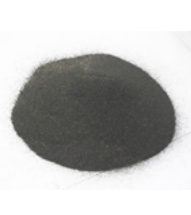
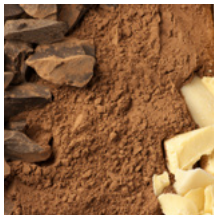




3D MOTION



IRIS FTS-0200

Compact and light electromagnetic sieve shaker, for sieves from 60 to 203 mm in diameter. Its three-dimensional motion throughout the sieve column makes it extremely effective when performing particle separation. Granulometric tests, both dry and wet.

Manufactured with a galvanized carbon steel body, it features a digital panel with power regulation, sieving time control and adjustments to enable continuous or intermittent sieving.

The sieve fastening system comprised of two threaded rods fitted with Bakelite tightening knobs and methacrylate lid.

INCLUDES:

- > Sieve shaker with connecting cable
- > Methacrylate lid
- > Threaded closing system
- > User manual
- > CE declaration of conformity
- > Accessories in wet (optional)

Accessories



TECHNICAL FEATURES

Type: Electromagnetic

Sieving: Dry/wet.

Application: Granulometric separation.

Particle size*:

from 20 µm to 125 mm wet sieving

from 40 µm to 125 mm dry sieving

Product motion: Three-dimensional

Maximum amplitude: 2 mm

Power levels: 9

Time display: from 1 to 99 min.

Interval operation: from 1 to 9 s.

Max. number of sieves:

7 (ø200/203 X 50 mm h.)

14 (ø200/203 X 25 mm h.)

Sieve ø: from 60 mm to 203 mm

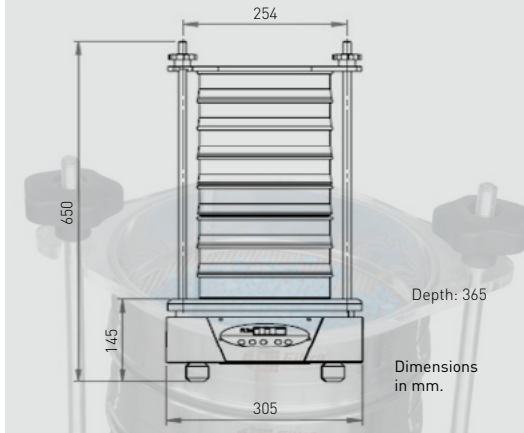
Voltage: 220/240 V - 50/60 Hz.

Power: 400 W

Current: 1,8 A

Weight: 27 kg

* Depending on the material to be sieved and the sieves used





SIEVING FOR LABORATORY AND INDUSTRIAL PROCESSES

FILTRA
VIBRACIÓN

Filtra Vibración S.L

C/ BRONZE, 1-3, P.I. LES GUIXERES
08915 BADALONA (BARCELONA)

filtra@filtra.com
filtra.com