



3D MOTION

IRIS FTL-0200

Digital electromagnetic sieve shaker for sieves from 60 to 203 mm in diameter. Its three-dimensional motion throughout the sieve column makes it extremely effective when performing particle separation granulometric tests, both dry and wet.

It is manufactured in anodized aluminium with a polyurethane resin shell, it features a digital panel with power regulation, sieving time control and adjustments to enable continuous or intermittent sieving.

The sieve fastening system comprised of two threaded rods fitted with Bakelite tightening knobs and methacrylate lid.

As an option it can be fitted with an Easy-Press quick release coupling system (smooth rods and pressurized easy-sliding tightening knobs).

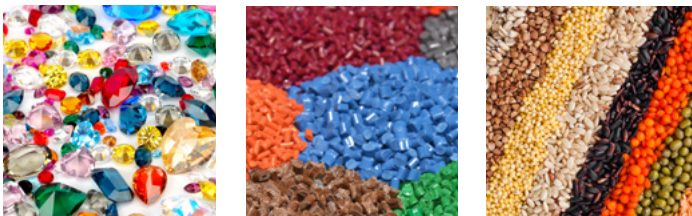
INCLUDES:

- > Sieve shaker
- > Connecting cable
- > Methacrylate lid Threaded closing system
- > User manual
- > CE declaration of conformity
- > Accessories in wet (optional)



Easy-Press

Accessories



FTL-0200	
A	770 mm
B	254 mm
C	240 mm
D	ø 360 mm

TECHNICAL FEATURES

Type: Electromagnetic
Type of sieving: Dry/wet.
Application: Granulometric separation.
Particle size*:

from 20µm to 125mm wet sieving
 from 40µm to 125mm dry sieving

Product motion: Three-dimensional
Maximum amplitude: 2 mm
Power levels: 9

Time display: from 1 to 99 min.
Interval operation: from 1 to 9 s.

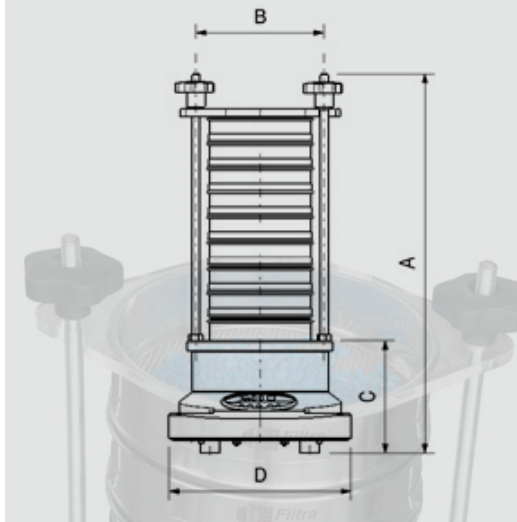
Maximum number of sieves:
 8 (ø200/203 X 50 mm h.)
 16 (ø200/203 X 50 mm h.)

Sieves ø: de 60 mm a 203 mm
Voltage: 220/240 V - 50/60 Hz

Power: 400 W
Current: 1,8 A

Weight: 40 kg.

*Depending on the material to be sieved and the sieves used





SIEVING FOR LABORATORY AND INDUSTRIAL PROCESSES

FILTRA
VIBRACIÓN

Filtra Vibración S.L

C/ BRONZE, 1-3, P.I. LES GUIXERES
08915 BADALONA (BARCELONA)

filtra@filtra.com
filtra.com